

441

Shake Freezer

Single Flavor

Features

Serve a wide variety of frozen beverages, like shakes and smoothies, with the assurance of safe temperatures for dairy products. Direct draw a single flavor or blend in flavorings for more variety.

Freezing Cylinder

One, 7 quart (6.6 liter).

Refrigerated Mix Hopper

One, 20 quart (18.9 liter). Separate hopper refrigeration (SHR) maintains mix below 41°F (5°C).

Indicator Lights

Add Mix light alerts the operator to add mix.

Solid State Controls

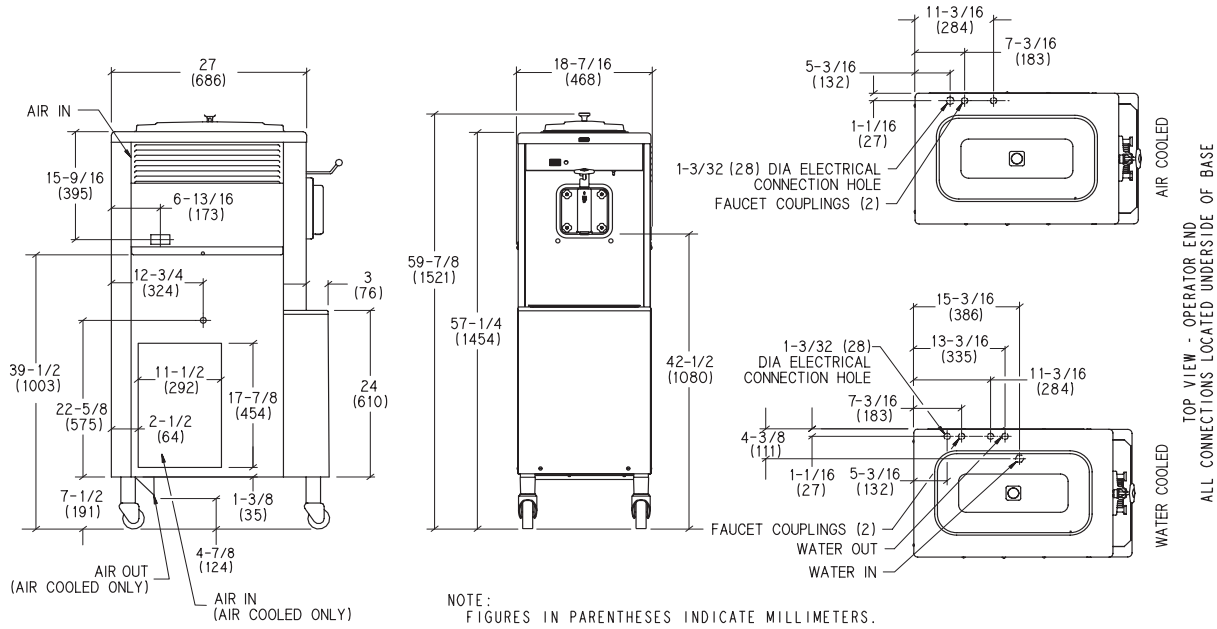
Thermistor control precisely monitors temperature and maintains consistent quality in product texture through solid state technology.

Two Locking Casters

Front casters have a locking feature for operators to keep equipment in place. The lock can be released to move the equipment for cleaning.



Shown with optional spacer



Weights	lbs.	kgs.
Net	415	188.2
Crated	435	197.3

**For Reference only*

	cu. ft.	cu. m.
Volume	17.7	0.50

Dimensions	in.	mm.
Width	18-7/16	468
Depth	30	762
Height	59-7/8	1521
Counter Clearance	7-1/2	191

**Mounted on standard casters*

Electrical	Maximum	Minimum	Poles (P) Wires (W)
	Fuse Size	Circuit Ampacity	
208-230/60/1 Air	25	20	2P 3W
208-230/60/1 Water	25	20	2P 3W
208-230/60/3 Air	15	13	3P 4W
208-230/60/3 Water	15	12	3P 4W
220-240/50/1 Air	15	14	2P 3W
380-415/50/3N~ Air	9	8	4P 5W
220-380/60/3~ Air	10	8	4P 5W
380-415/50/3N~ Air	10	8	4P 5W

This unit may be manufactured with other electrical characteristics and may have additional regulatory agency approvals. Consult the local Taylor distributor for other electrical characteristics and agency approvals based on specific electrical and country requirements. **(For exact electrical information, approval marks, and refrigerant, always refer to the data label of the unit.)**

Continuing research results in steady improvements; therefore, these specifications are subject to change without notice.

Bidding Specs

Electrical: Volt _____ Hz _____ ph _____
 Neutral: Yes No Cooling: Air Water NA

Options:

All options may not be available in combination with others or with all electrical or cooling configurations. Please consult your local Taylor distributor.

Authorized Taylor Distributor

Specifications

Electrical

One dedicated electrical connection is required. See the electrical chart for the proper electrical requirements. Manufactured to be permanently connected. Consult your local Taylor distributor for cord and receptacle specifications as local codes allow.

Beater Motor

One, 1.0 hp.

Refrigeration System

One, 10,000 BTU/hr. R449A.
 Separate Hopper Refrigeration (SHR), one, 400 BTU/hr. R134a. (BTUs may vary depending on compressor used.)

Air-Cooled

Minimum 3" (76 mm) around all sides. Install the deflector provided to prevent recirculation of warm air. Minimum air clearances must be met to assure adequate airflow for optimum performance.

Water-Cooled

Water inlet and drain Connections underside of base 3/8" FPT.

Options

- Panel Spinner
- Refrigerated Syrup Rail, 3 Compartment and Panel Spinner

Accessories

- Faucet

TAYLOR[®]
 750 N. Blackhawk Blvd.
 Rockton, Illinois 61072
www.taylor-company.com